



**TruWood**<sup>®</sup>  
 Collins Products LLC SIDING | TRIM

## TRUWOOD BEVEL EDGE LAP SIDING

Tru curb appeal. Tru quality. Tru character. It's all yours with TruWood 7/16 in Lap Siding. Designed with our popular Old Mill<sup>®</sup> textured surface and engineered for less waste, our Bevel Edge Lap Siding has the look of cedar without checks, cracks or surface variations. Paint goes on smoothly and uniformly. You get the look of high-quality cedar without the defects, hassles or high cost. You can achieve an authentic wood appearance that gives Mother Nature a run for her money. Truly amazing.

### FEATURES/BENEFITS

- Quality engineered surface and core
- 30-year limited warranty
- Pre-primed for improved weatherability
- 16 ft lengths
- Matching reversible TruWood Trim
- Installs 25-40% faster than cement or vinyl sidings
- Use for residential single-family, multi-family housing, remodeling and light commercial projects
- Easy and safe to install using normal woodworking tools. No silica dust.
- Ask us about our FSC<sup>®</sup> products

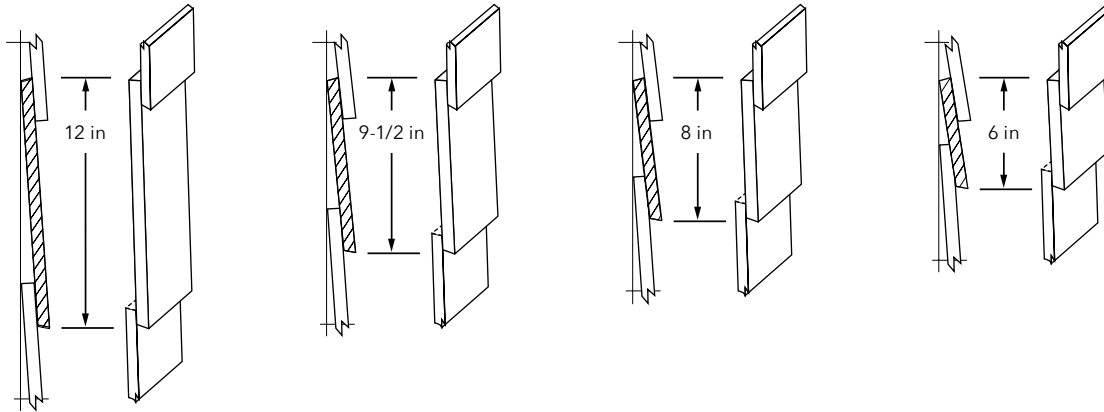
TREATED WITH

**EcoGuard**<sup>®</sup>

ZINC BORATE

- Resists mildew, rot and termite damage
- Naturally-occurring additive safe for use around children and pets

## BEVEL EDGE 7/16 in LAP SIDING



## SPECIFICATIONS:

Lap Size	Pc/ Bundle	Pc/ Unit	Maximum Exposure in inches	Sq. Ft. Coverage Per Piece	Approx Coverage Sq. Ft./ Unit	Sq. Ft. Needed To Cover 1,000 Sq Ft. of Wall Area	Approx. Weight Lbs./Unit
7/16 in x 6 in x 16 ft	6	336	5	6.67	2128	1260	4675
7/16 in x 8 in x 16 ft	6	252	7	9.33	2234	1200	4675
7/16 in x 9-1/2 in x 16 ft	6	210	8-1/2	11.33	2261	1174	4675
7/16 in x 12 in x 16 ft	6	168	11	14.67	2341	1145	4675

\*Allows for a 1 in overlap and assumes a 5% waste factor.

## Selection

Lap Size	Surface Texture
7/16 in x 6 in x 16 ft	Old Mill®
7/16 in x 8 in x 16 ft	Old Mill®
7/16 in x 9-1/2 in x 16 ft	Old Mill®
7/16 in x 12 in x 16 ft	Old Mill®

## TruWood Siding and Trim meet the requirements of the following:

2018 International Building Code  
 2018 International Residential Code  
 ICC ESR-2588  
 Federal Manufactured Housing Standards  
 American National Standard ANSI-CPA 135.6 - 2012  
 California Wildland-Urban Interface (WUI)

Fire rating = Class C  
 R Value = 0.67 (hour) (Sq. Ft.) (Fahrenheit) per BTU  
 1/2 in Lap Siding = No Shear Value

**CAL. PROP 65 WARNING:** Use of this product may result in exposure to wood dust, known to the State of California to cause cancer.

TO FIND YOUR NEAREST DISTRIBUTOR, WARRANTY INFORMATION, INSTALLATION INSTRUCTIONS, CARE AND MAINTENANCE INSTRUCTIONS, A SIDING CALCULATOR, OR TO VIEW OUR PRODUCTS ON SAMPLE HOMES USING OUR VISUALIZER TOOL, HEAD TO **TruWoodSiding.com**. CAN'T FIND WHAT YOU NEED? **800.417.3674**

