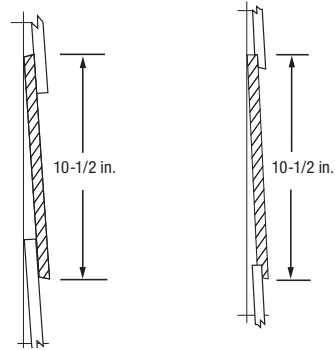


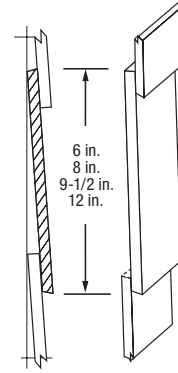
CEDAR SHAKE LAP SIDING



Bevel Edge
Cedar Shake
7/16 in. Lap Siding
12.66 sq. ft.
coverage/piece

Self-Aligning
Cedar Shake
1/2 in. Lap Siding
12.66 sq. ft.
coverage/piece

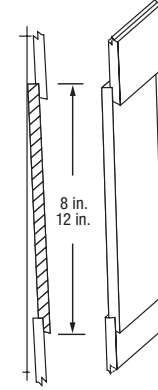
BEVEL EDGE LAP SIDING



Bevel Edge
7/16 in. Lap Siding

6 in. - 6.667
8 in. - 9.33
9-1/2 in. - 11.33
12 in. - 14.667
sq. ft. coverage/piece

SELF-ALIGNING LAP SIDING

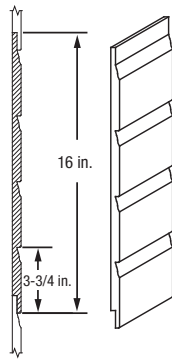


Self-Aligning
1/2 in. Lap Siding

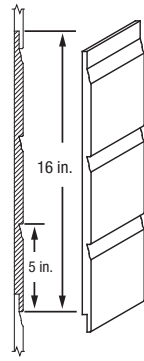
8 in. - 9.33
12 in. - 14.667
sq. ft. coverage/piece

LAP SIDING
(16 ft. LENGTHS)

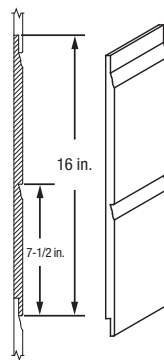
COTTAGE LAP®
4 IN., 5 IN. AND
8 IN. TWELVEFOUR,
TWELVESIX
AND CHANNEL
RUSTIC™ SIDING
(16 ft. LENGTHS)



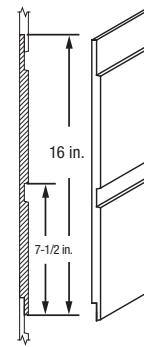
4 in. Cottage Lap
7/8 in. Groove
1/2 in. Lap Siding
20 sq. ft.
coverage/piece



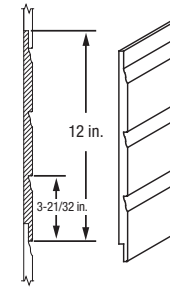
5 in. Cottage Lap
7/8 in. Groove
1/2 in. Lap Siding
20 sq. ft.
coverage/piece



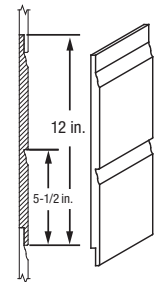
8 in. Cottage Lap
7/8 in. Groove
1/2 in. Lap Siding
20 sq. ft.
coverage/piece



Channel Rustic
1 in. Groove
1/2 in. Lap Siding
20 sq. ft.
coverage/piece

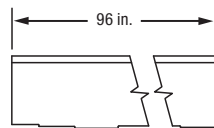


TwelveFour
Cottage Lap
7/8 in. Groove
1/2 in. Lap Siding
14.667 sq. ft.
coverage/piece

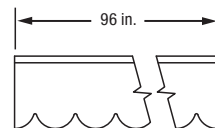


TwelveSix
Cottage Lap
7/8 in. Groove
1/2 in. Lap Siding
14.667 sq. ft.
coverage/piece

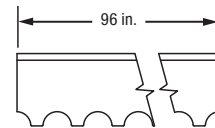
DESIGNER
SHAKE® SIDING
(8 ft. LENGTHS)



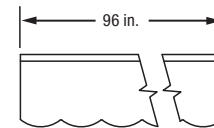
Designer Shake
Craftsman Staggered
1/2 in. Lap Siding
5.333 sq. ft. coverage/piece



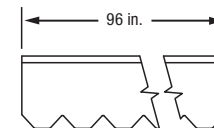
Designer Shake
Round
1/2 in. Lap Siding
4.5 sq. ft. coverage/piece



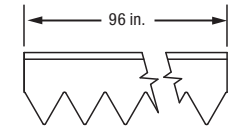
Designer Shake
Cove
1/2 in. Lap Siding
4.33 sq. ft. coverage/piece



Designer Shake
Fishscale
1/2 in. Lap Siding
5 sq. ft. coverage/piece

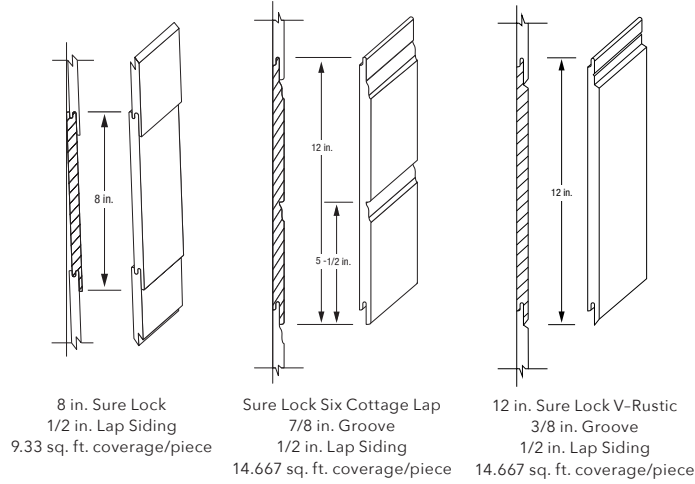


Designer Shake
Octagon
1/2 in. Lap Siding
4.5 sq. ft. coverage/piece

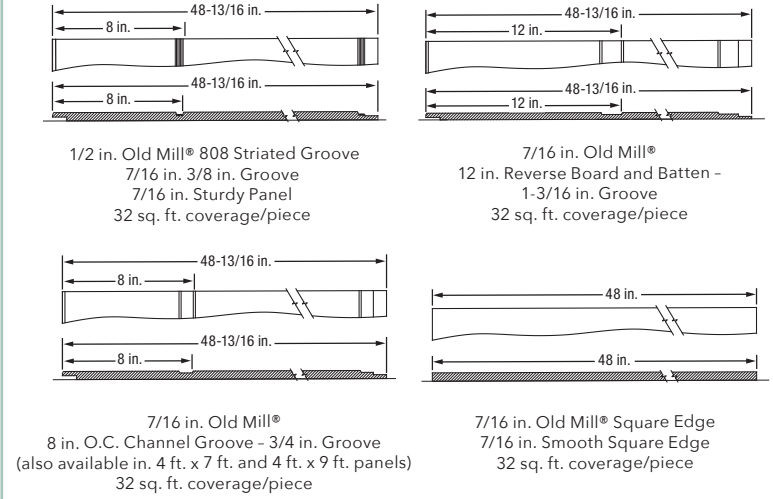


Designer Shake
Diamond
1/2 in. Lap Siding
2.833 sq. ft. coverage/piece

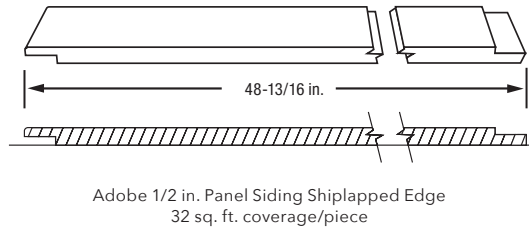
SURE LOCK™ LAP SIDING
(16 ft. LENGTHS WITH CONCEALED NAILING SYSTEM)



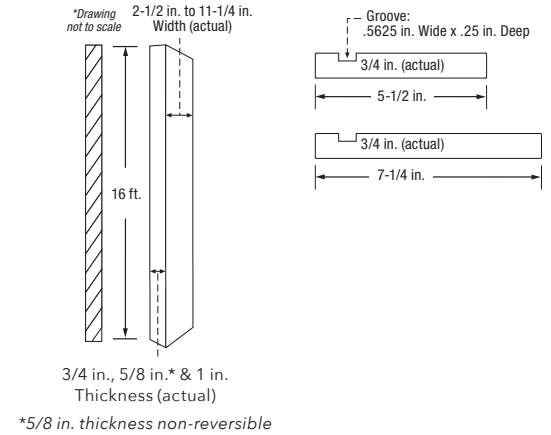
PANEL SIDING (4 ft. x 8 ft. PANELS)



**ADOBE™
PANEL SIDING**
(4 ft. x 8 ft.
PANELS)



REVERSIBLE TRIM (16 ft. LENGTHS)



**OLD MILL®
SHINGLE LAP
SIDING**

